

# HPCO<sub>2</sub> Component Description

45 kg (100 lb.) CO<sub>2</sub>

Cylinder & Valve Assembly

P/N 81-100067-00X



Effective: January 2019  
K-81-9151 Rev AC

## FEATURES

- 67 Liter Cylinder - US DOT 3AA-2130 Specification
- 100-lbm (45-kg) CO<sub>2</sub> Capacity
- 0F (-18C) to 130F (55C) agency temperature range
- Type I Valve, 5/8"
- Straight Siphon Tube
- Underwriters' Laboratories Listed - File Number EX923
- United States Coast Guard Approved

## DESCRIPTION

Kidde Fire Systems' High-Pressure Carbon Dioxide (CO<sub>2</sub>) Fire Suppression Systems use seamless steel cylinders to store carbon dioxide agent. The agent is stored under its own vapor pressure as a non-flammable compressed gas. Due to the physical properties of CO<sub>2</sub>, both the vapor and liquid state are present within the cylinder. Each assembly is factory fitted with a discharge valve and siphon tube. A US DOT compliant safety relief device, protecting the cylinder from over pressurization, is provided as part of the discharge valve assembly.

For shipment, a standard shipping cap is included, which mates to external threads on the cylinder neck to protect the discharge valve from inadvertent damage.

Prior to removing the shipping cap, each cylinder shall be properly secured using cylinder straps or Framing/Oak Rack Kits as required.

The discharge valve cannot dispense the cylinder contents without a properly attached discharge head. This feature provides an enhanced safeguard during transport. A discharge flex hose connects the discharge head to the system manifold. Alternatively, a swivel adapter may be used in place of a discharge flex hose to connect to the system manifold.

One or more control heads will be required to actuate a manifold of cylinders.

After discharge, charging accessories are required to safely vent any residual pressure to service the discharge valve and then re-fill the cylinder.

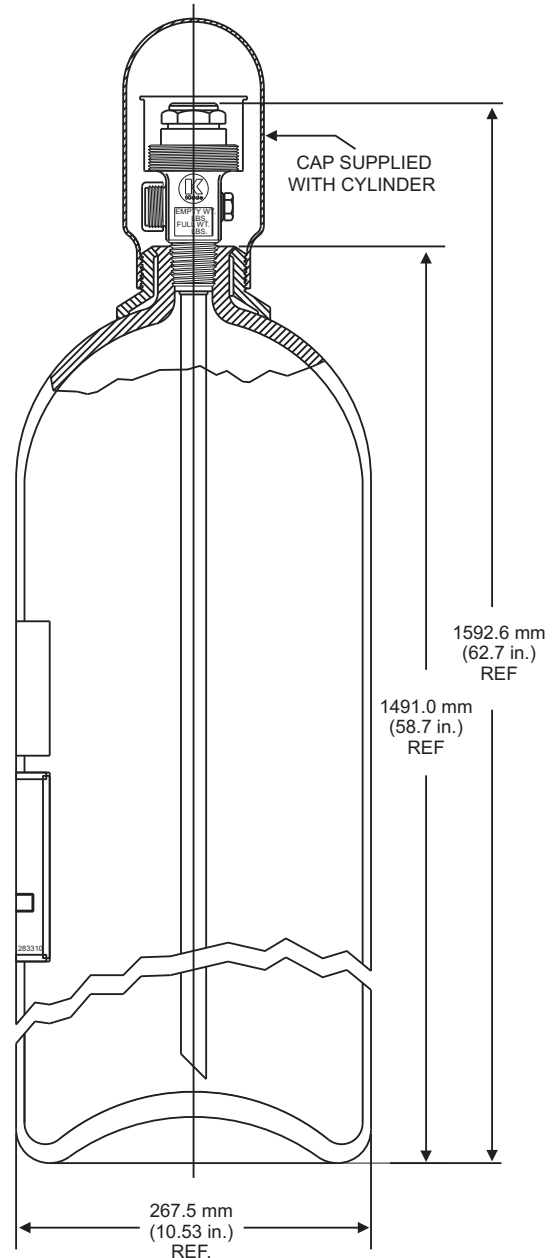


Figure 1. Cylinder

**ORDERING INFORMATION**

Description	Application	Approvals	Part Number
Cylinder & Valve Assembly, 100-lbm	Industrial	UL Only	81-100067-001
Cylinder & Valve Assembly, 100-lbm	Marine	UL & USCG	81-100067-003

**REFERENCED COMPONENTS**

Description	Reference Data Sheet
Discharge Valve, 5/8"	K-81-1050
Discharge Head, Plain Nut	K-81-1060
Discharge Head, Groove Nut	K-81-1070
Discharge Hose, 3/4" NPT	K-81-1090
Adapter, Swivel	K-81-1105
Cylinder Strap, Single	K-81-1230
Cylinder Strap, Double	K-81-1240
Control Head	K-81-8010* K-81-6020*
Charging Accessories	K-81-9110
Framing Kits	See manual: 81-CO2MAN-001
Oak Rack Kits	See manual: 220610
* Typical listed see referenced manuals for all applicable control heads.	

**EXPORT INFORMATION (USA)**

Jurisdiction: EAR  
Classification: EAR99

This document contains technical data subject to the EAR.

KIDDE is a registered trademark of Kidde-Fenwal, Inc., or its parents, subsidiaries or affiliates.

This literature is provided for informational purposes only. KIDDE-FENWAL, INC. believes this data to be accurate, but it is published and presented without any guarantee or warranty whatsoever. KIDDE-FENWAL, INC. assumes no responsibility for the product's suitability for a particular application. Product features specified are only applicable when the fire suppression system is correctly designed, installed, maintained and serviced by trained, authorized Kidde Fire Systems distributors as per the applicable design, installation, operation, and maintenance manuals. If you need more information on this product, or if you have a particular problem or question, contact: KIDDE-FENWAL, INC., Ashland, MA 01721 USA, Telephone: (508) 881-2000.

